



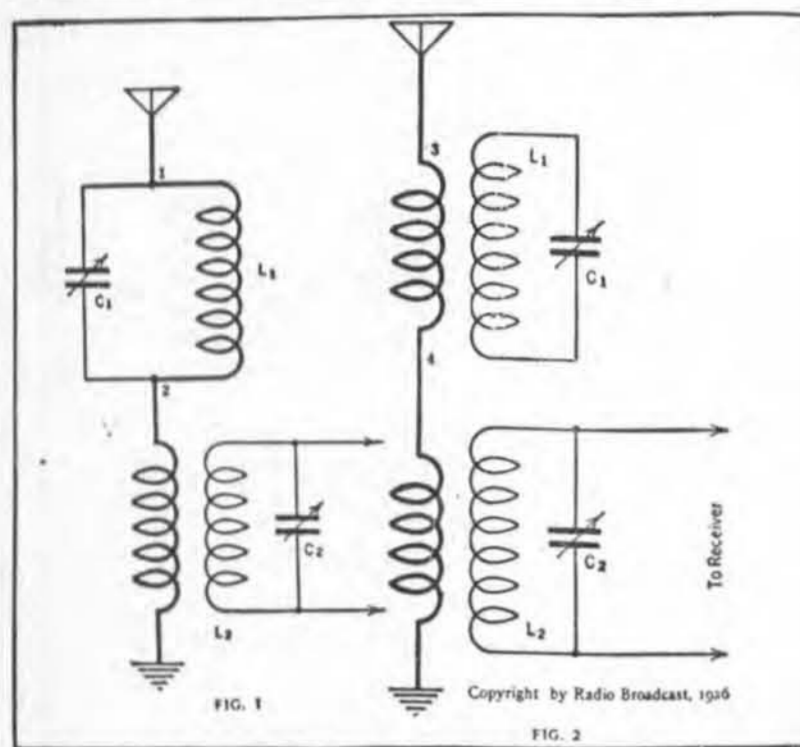








# RADIO



Wave Trap Will Cut Out Loud Locals—The Conductively Couple Form and the Inductively Coupled.

Due to the widespread increase in power of many of our broadcasting stations, the need for some sort of apparatus capable of cutting out strongly interfering stations, is becoming felt more and more. There is not much fun in sitting through the program of one particular station night after night, especially when a better program is being offered by some other station which is drowned out by the nearer or more powerful transmitter.

The only practical methods to be used in eliminating this type of interference are either shielding of the receiver or using some form of closed-field coil, such as a toroid. If the set is to be shielded, it is necessary to line the entire inside of the cabinet, including the cover and the panel, with thin copper.

The gist of Mr. Rhodes' explanation why the toroid type of coil is recommended for use where ordinary coils will cause broad tuning by their pick-up qualities, is as follows: Toroid coils will, as is the case with other coils, have induced in their turns currents which ordinarily would nullify the selective qualities of a receiver.

There is a second type of interfering signal that causes considerable trouble, and against this type the two cures so far described are useless. If the signals being induced in the antenna are sufficiently strong, it is possible that a receiver may not have a selectivity sharp enough to eliminate them completely, although its selectivity under ordinary conditions may be perfectly satisfactory.

### FOR THE NOTEBOOK

The ideal aerial is one which is away from all interference. There is more static in defective grid leads than in all the heavens. In making a loose coupler, both coils are wound in the same direction. A crystal can be tested by hooking it in series with a 2 1/2-volt "B" battery and a milliammeter.

# The Wife-Ship Woman

By HUGH PENDEXTER

Author of "Kings of the Missouri," "Pay Gravel," "A Virginia Scout," etc.

## CHAPTER XIV—Continued

She had difficulty in adjusting some twigs of the hedge to her liking, and her voice was so low I could scarcely hear it as she said:

"I told you once that should you feel the same as you did that time on the river—that second time on the second river—there could be no harm— Ah, I put shame on myself to speak more."

"And I repeat I am a very foolish man and must have love where I love," I stammered.

"Such a hard man!" she sighed, with a quick uplift of her eyes; and I could swear she was laughing at me.

"You brought me here to have me propose marriage to you?" I bluntly demanded.

"It is shameful to make me say that. But it is true," she murmured.

Even then I feared she was sacrificing herself to me because of some absurd sense of gratitude.

"But your pride—"

"Enough of that word!" she fiercely cried, clutching both my hands and turning eyes filled with tears for my inspection. Then humbly:

"Does monsieur find pride in me now? Or does he find a poor, homeless, homelick girl with no friends, no people?"

My arms would have closed about her slim form had she not had a second thought. Withdrawing from me and holding her head high and haughty she accused me:

"You dared to think wrong of me on that island off Biloxi! You dared to think weakness of me because I came on that terrible ship! Not a word, monsieur! I will listen to no defense!"

As poor Joe Labrador would have said, "Ah, that Mademoiselle Dahls-gaerde!" in her moods she was as irresponsible as a butterfly, and as irresistible as a sunbeam. I lied bravely and sternly, and severely lectured her for presuming to read my thoughts and then to convict me on whatever conclusions she might happen to form.

By the time I had finished a discourse on the evilness of "pride" she was quite limp. And when for the third time I asked her to marry me she did not refuse.

Our wedding was two weeks old and I was still as ardent a believer in fairytales as any Frenchman. Then my host demanded my attention, and informed me that the man who was so insistent on seeing Mrs. Brampton was again calling.

"I believe the fellow must be crazy, William, but it's for you to dispose of him. He bothered her some before you came."

I vowed I would scalp him, and directed the butler to bring him into the rose-garden back of the house. He came, and behold he was the man who had yelled to me as I furiously galloped up the plantation road in search of a wife.

What was more astonishing when he was Jules Mattor, my boatman when I escaped from Pascagoula bay. I sternly inquired his business with Mrs. Brampton, and with much squirming and twisting, he told me how he had brought her a message from Biloxi, it being written by no one less than his excellency, Steur de Bienville.

"And, monsieur, I have waited six weeks, and she will give me no answer to carry back. If I go without an answer his excellency will believe I did not do his business, and he will use a hard hand. Mademoiselle would not give me an answer. Cannot monsieur, who is so big and strong, induce madame to write just a word?"

I sent a boy to fetch Mrs. Brampton. As she entered the garden and beheld Mattor she smiled slightly, but there was nothing but happiness in her face.

"Aye? Well, you did it." "Because I feared that once you learned the truth your silly English pride would send you back to the terrible forest and that abominable river, and I would return to France, or stay here unwed. Here is the message. Read it."

She pulled a paper from the bosom of her gown, but I refused it, suggesting that she tell me what she would. She settled herself primly on a rustle settee and made an imperious little gesture for me to be seated.

"It is like this, my love. My mother was a de Baude, a distant kinswoman of Comte de Frontenac."

"Pride!" I exclaimed, beginning to understand.

"Her family would have none of her because she married a Dahls-gaerde. After both she and my father died an uncle was named as my guardian. He is a friend of Monsieur le Regent, and being a marquis and having great wealth, he is a very sad dog. His tastes and Monsieur le Regent's are the same. The two plan to marry me to an execrable creature, who has much gold, a great family

"Against all Europe!" I told the top of her head.

She struggled free and cried: "But you never ask about the old pirate. Such a polite husband! I know you die of curiosity. He was an undergardener at my uncle's country place. He saw me steal away from home, and he followed me. He was a very wicked old man. He followed me on board the ship, planning to make a fortune out of my disappearance. He knew there would be a great search and a big sum in gold offered. He would wait in the new world till he could drive the best bargain; then he would betray me. He was very wicked."

It was all told. I felt humble and meek, but took care it should not show. So I urged her to get rid of Mattor by sending an answer to Bienville.

"Ma foi! As your wife I think it would be better for Mr. Brampton to write the answer," she replied. "Else why did I keep this poor man waiting until you came here and married me?"

"You Brought Me Here to Have Me Propose Marriage to You?" I Bluntly Demanded.

"Yes," said the bankrupt, "I lost my fortune reaching for an ideal."

"How noble! And what was the ideal?"

"A bigger fortune than I had."

He did not seek for glory With intellectual show. He told a funny story Across the radio.

Art—What's all the noise down there? Durt—Fella turned a corner! "Well?" "There wasn't any corner."—Punch Bowl.

Beggar—Take pity on a poor mix zable wretch, mister. I have a wife and seven children. "My poor fellow, accept my condolences. So have I."

"A proverb says, 'Add naught to the truth.'" "I suspect that is what those movie stars do when they are telling what salaries they get—\$500 becomes \$5,000."—Boston Transcript.

Daughter—What did the specialist say about auntie's frightful attack of kleptomani? Mother—He said she must take things more quietly in the future.

So then, gentlemen, in the eyes of men of your refinement, I would have this name of poet to be regarded as sacred: It is a name to which barbarians never yet did violence. Rocks and wilderness echo the voice; savage brutes are often swayed by melody and stand stock-still; are we, whose education has been of the highest—are we not to be touched by the accents of a poet?—Cleero.

There are 200 kinds of oak trees having vastly different characteristics, but they have one common feature, and that is they all produce acorns. The white oak is so called because it has a rather white bark, while the black oak's bark is quite dark, black to all intents and purposes during the "wood age." Live oak was always preferred for shipbuilding and for heavy duty, but just why it was named "live" is a matter of doubt.

At one time the island of Nantucket was covered with live oaks, but the land was denuded of this timber years ago during the whaling activities, when several shipbuilding yards flourished on the island and a great fleet of whalers was built there.

Forest fires last year burned over 30,000,000 acres of ground—an area greater than that of New England.



### Scraps of Humor

NOT THE SAME The rookie had been at the naval training station two weeks and had spent most of that time in digging ditches, chopping trees, levelling hillsides and filling depressions. Finally he sought his immediate superior.

### GROUNDS OF DIVORCE



"On what grounds did she get her divorce?" "Chicago, I believe."

### A Plea for Information

Oh chemist, please investigate And drop me just a line. I'd like to know what carbonate? And where did iodine?

### Not So Keen

For months young Simpkins had been calling on the town belle, but with no marked success.

### Turn About

"But we were only 15 minutes getting here!" expostulated the passenger.

### The Martyr

"Yes," said the bankrupt, "I lost my fortune reaching for an ideal."

### Goes With the Job

Clerk—That fellow gets a cold shoulder every time he comes in here.

### WHAT MATTERS WHO?

"My brother was a finished saxophone player."

### The Wise Orator

He did not seek for glory With intellectual show. He told a funny story Across the radio.

### Don't Try It

Art—What's all the noise down there? Durt—Fella turned a corner! "Well?" "There wasn't any corner."—Punch Bowl.

### Mutual

Beggar—Take pity on a poor mix zable wretch, mister. I have a wife and seven children.

### Sometimes They Add Two

"A proverb says, 'Add naught to the truth.'" "I suspect that is what those movie stars do when they are telling what salaries they get—\$500 becomes \$5,000."—Boston Transcript.

### The Prescription

Daughter—What did the specialist say about auntie's frightful attack of kleptomani? Mother—He said she must take things more quietly in the future.

Less break in body as temperatures go up. YOUR MOTOR NEEDS Mona Motor Oil.

Hotel President Kansas City Invites You. The Most Popular Hotel in the Southwest. Rates \$3.00 to \$4.50. One Price to All at All Times.

25c L-V DUST CLOTH. FREE. Buffalo Specialty Company 2 Liquid Veneer Easy, Reliable, S. I.

Upkeep. Customer—This \$7 fountain pen you sold me for 9 cents looks. Salesman—Ah, yes, you need one of our patented rubber writing gloves.

BEAUTIFY IT WITH "DIAMOND DYES". Just Dip to Tint or Boil to Dye. Each 15-cent package contains directions so simple any woman can tint soft, delicate shades of dye rich, permanent colors.

Sure Relief. BELLANS INDIGESTION 25 CENTS. 6 BELLANS Hot Water Sure Relief. BELLANS FOR INDIGESTION. 25c and 75c Pkgs. Sold Everywhere.

Cuticura Soap Is Pure and Sweet Ideal for Children.



Children Cry for

# Fletcher's CASTORIA

MOTHER! Fletcher's Castoria is a harmless Substitute for Castor Oil, Paregoric, Teething Drops and Soothing Syrups, prepared to relieve Infants in arms and Children all ages of

- Constipation
- Wind Colic
- Flatulency
- To Sweeten Stomach
- Diarrhea
- Regulate Bowels

Aids in the assimilation of Food, promoting Cheerfulness, Rest, and Natural Sleep without Opiates

To avoid imitations, always look for the signature of *Chas. H. Fletcher*. Proven directions on each package. Physicians everywhere recommend it.



**Checks Are Receipts**

Checks are the best receipts in the world for paid bills. Our record of the canceled Check as it is paid and passes through our books forms a chain of evidence that cannot be surpassed or disputed. Starting a Checking Account with us is a simple matter. Let us tell you how.

THE FIRST NATIONAL BANK OF NOGALES  
NOGALES, ARIZONA  
Assets Over \$3,000,000

**TRADE AT HOME!**

Arizona Packing Company's meats are from cattle raised in Arizona. Cactus brand Bacon and Ham is as good as can be procured anywhere, and we cure them from the meat of Arizona-raised swine. Patronize Arizona industries whenever possible and help your state grow. The money you send away stays away.

ARIZONA PACKING COMPANY  
NOGALES, ARIZONA

WE HAVE A STOCK OF

## Kelly-Springfield Tires

AND TUBES

We Also Carry

AUTO ACCESSORIES, GAS, OILS, AND GREASES

We deal in Wood, Hay, Grain, and Poultry Feed, and do Hauling, both light and heavy. See us FIRST.

PATAGONIA ICE & LIGHT PLANT

BEFORE IMPROVING PROPERTY be sure your title is clear. Title to much land in Nogales, Patagonia and other parts of this county is cloudy.

SANTA CRUZ COUNTY ABSTRACT AND TITLE COMPANY

F. A. French, Mgr.

Nogales, Arizona

NOTARIES PUBLIC

Legal papers requiring a Notary's seal and acknowledgment will receive proper attention if brought to Miss Grace Van Osate, San Rafael Valley.

B. P. O. E.  
NOGALES LODGE NO. 1397

Meets second and fourth Tuesdays of each month at Elks' Home on Morley Ave. Visiting brothers always welcome.

V. J. WAGER, Exalter Ruler  
ROBERT E. LEE, Secretary

It's better to insure your property than to wish you had. See Howard Keener at the Patagonian office.—Adv

What! You let your daughter go with that fellow? Who, he has just done five years at hard labor. The scoundrel! He told me it was only two!

LEGAL ADVERTISEMENTS  
NOTICE FOR PUBLICATION

Department of the Interior, U. S. Land Office at Phoenix, Arizona, April 13, 1926.

NOTICE is hereby given that Albert J. Hilton, of Sonoita, Arizona, who, on February 2, 1921, made forest homestead entry (list 3-4391), No. 059189, for the S $\frac{1}{2}$ S $\frac{1}{2}$ SE $\frac{1}{4}$ NE $\frac{1}{4}$ , S $\frac{1}{2}$ S $\frac{1}{2}$ SW $\frac{1}{4}$ NE $\frac{1}{4}$ , E $\frac{1}{2}$ SE $\frac{1}{4}$ , E $\frac{1}{2}$ NW $\frac{1}{4}$ SE $\frac{1}{4}$ , NW $\frac{1}{4}$ NW $\frac{1}{4}$ SE $\frac{1}{4}$ , N $\frac{1}{2}$ NE $\frac{1}{4}$ SW $\frac{1}{4}$ , S $\frac{1}{2}$ S $\frac{1}{2}$ SE $\frac{1}{4}$ NW $\frac{1}{4}$ , Section 23, Township 20 S, Range 16 E, G. & S. R. Meridian, has filed notice of intention to make Three-Year Proof, to establish claim to the land above described, before W. A. O'Connor, U. S. Commissioner, at Nogales, Arizona, on the 28th day of May, 1926.

Claimant names as witnesses: Sam White, Harry Rickwalt, A. M. Benjamin, and R. C. Larimore, all of Sonoita, Arizona.

L. L. FERRALL, Register.  
First publication April 23, 1926.  
Fifth publication May 21, 1926.

In the Superior Court of Santa Cruz County, State of Arizona.

IN THE MATTER OF THE ESTATE OF ATILANO P. MORENO, deceased.

ORDER TO SHOW CAUSE

It appearing to this Court, by the petition heretofore presented and filed by Juana P. de Moreno, administratrix of the estate of Atilano P. Moreno, deceased, that it is necessary to sell a portion of the real estate of said estate, to pay the taxes due and to become due upon the property of said estate, and the expenses and charges of administration.

IT IS THEREFORE, BY THE COURT ORDERED That all persons interested in the estate of said deceased appear before the said Superior Court on Friday, the 28th day of May, 1926, at the hour of 11:00 o'clock in the forenoon of said day, at the Court Room of said Court, at the Court House, in the City of Nogales, Santa Cruz County, State of Arizona, to show cause, if any there be, why an order should not be granted to said administratrix to sell the said real estate described in said petition, or so much thereof as may be necessary; and that a copy of this order be published for four (4) successive weeks in the Santa Cruz Patagonian, a newspaper printed and published in said Santa Cruz County.

Dated this 20th day of April, 1926.  
W. A. O'CONNOR, Judge.

First publication April 23, 1926.  
Fifth publication May 21, 1926.

BABY CHIX — Golden Buff and White Leghorns (Tanned strain), Black Minorcas, Barred Rocks, R. I. Reds (even color and red to the skin). ENOCH CREWS, Seabright, California. 2tp

FOR SALE—Mule and cane seed, and pink beans for planting. Write or call, BUD BALDWIN, San Rafael Valley.

HATCHING EGGS from pedigreed Rods. Ask for mating list. Large double Dahlia bulbs, 15c each or \$1.50 per dozen. S. M. BRIMBERRY, Lewis Springs, Arizona. 1t

GET ACQUAINTED FOR A DOLLAR Send a dollar bill and receive SUNSET, the West's Great National Magazine, for five issues. Under new editorial direction. Spare-time agents wanted. Address SUNSET MAGAZINE, 460 Fourth St., San Francisco, Calif. 6tp

MEN, WOMEN sell guaranteed silk hosiery direct to wearer beautiful goods, fashioned and full fashioned, wonderful colors. Prices lower than stores. Sell only. We pay every day. INTERNATIONAL SILK HOSIERY CO., Norristown, Pa. 10t

DR. BAYARD FITTS  
Eye, Ear, Nose and Throat Specialist  
NOGALES, ARIZONA

HOTEL BOWMAN  
Nogales, Arizona  
TUCSONIA HOTEL  
Tucson, Arizona

DR. F. BROCKMAN  
Dentist  
RELIABLE DENTISTRY AT MODERATE PRICES  
136 Grand Ave. Phone 92  
NOGALES, ARIZONA

LEGAL ADVERTISEMENTS

NOTICE FOR PUBLICATION

Department of the Interior, U. S. Land Office at Phoenix, Arizona, April 10, 1926.

NOTICE is hereby given that Mathis Johnson, of Elgin, Arizona, who, on January 13, 1921, made additional stock-raising homestead entry, No. 041889, for the SE $\frac{1}{4}$ NW $\frac{1}{4}$ , Section 3, Township 20 S., Range 17 E., G. & S. R. Meridian, has filed notice of intention to make Three-Year Proof, to establish claim to the land above described, before O. G. Failor, Clerk of the Superior Court, at Tucson, Arizona, on the 27th day of May, 1926.

Claimant names as witnesses: William Carson and Rudolph Black, of Tucson, Arizona; Charles L. Putnam and Lyle Sprung, of Elgin, Arizona.

L. L. FERRALL, Register.  
First publication April 23, 1926.  
Fifth publication May 21, 1926.

In the Superior Court of Santa Cruz County, State of Arizona.

WE SOLICIT YOUR ORDERS FOR

## STOCKS AND BONDS

LISTED ON THE EXCHANGE

Write or Wire Us

### FINIGAN & MILLER

Brokers

Members: Los Angeles Stock Exchange, Salt Lake Stock and Mining Exchange

821-2-3 Stock Exchange Bldg.  
LOS ANGELES CALIFORNIA

HANK'S GARAGE  
Hank Myers, Prop.

AUTO REPAIRING  
STUDEBAKER SERVICE  
CARS GREASED AND OILED

340 Grand Avenue, Nogales, Arizona

Immediate Service

When you are in a hurry—need your car right away, and something goes wrong—we give you immediate service, so you will not be delayed a minute longer than absolutely necessary. No extra charge for this service.

EAST SIDE GARAGE  
R. C. Blabon, Proprietor  
PATAGONIA ARIZONA

WHEN IN NEED OF A STIMULANT

Call at

## THE PHOENIX CLUB

"The Friendly Place"

"Bill" Finley and Sam (Chappo) Torres, Props.  
NOGALES SONORA MEXICO  
Next to Hotel Abadie

WHEN IN NEED OF A STIMULANT

Call at

## THE PHOENIX CLUB

"The Friendly Place"

"Bill" Finley and Sam (Chappo) Torres, Props.  
NOGALES SONORA MEXICO  
Next to Hotel Abadie

Casa Grande—Greenback Extension Mines, Inc., preparing to install hoisting plant and compressor.  
Prescott—Sunny South Mining Co. purchases additional equipment for driving its tunnel 150 feet.  
Kingman—High grade lead ore being shipped by lessees of Banner mine.

**CASTORIA**  
For Infants and Children  
In Use For Over 30 Years

Always bears the Signature of *Chas. H. Fletcher*

**DUFFY & ROBINS**  
Attorneys-At-Law  
Nogales, Arizona

Dr. W. F. Chenoweth  
Physician and Surgeon  
Nogales, Arizona

The Patagonian, \$2: Worth the Price

**NEW BRICKWOOD HOTEL**  
NOGALES (Ground Floor Lobby) ARIZONA  
Steam Heat, Telephone and Running Water in Each Room—Free Auto Parking Space

**Patagonia Barber Shop**  
WILLIAM FESSLER, Proprietor  
Children's Hair-Cutting a Specialty

PATAGONIA ARIZONA

FOR DEVELOPMENT WORK, FOR SMALL HIGH GRADE VEINS,

## Here Is the Mill

Efficient, Economical, Easily Handled, Simple

Price \$3200

10-15 TON FLOTATION MILL

Extra Cost for Boiler and Engine, or Gasoline Engine, From \$1200.00 to \$1600.00

### Roy & Titcomb

Incorporated  
NOGALES, ARIZONA

One of the best Hotels in Southern Arizona, with every home appointment for the traveling public in the

## COMMERCIAL HOTEL

PATAGONIA, ARIZONA

Clean Beds, Clean Linen, Cleanly kept. Excellent Lobby. Dining Room in connection

Why get along with makeshifts in the kitchen, where so many hours of work are done each day, when you can come here and, at very small cost, choose kettles and pans that will make your kitchen complete and lessen materially your kitchen work?

WHITE ENAMEL WARE

The following special values will prove especially interesting to thrifty shoppers:

Berlin Kettles \$1.00 to \$1.50  
Coffee Pots \$1.25 to \$1.60

A full line to choose from; all sizes.

THE CORNER STORE  
Patagonia, Ariz.

The Patagonian, Official County Newspaper

**SUBSCRIPTION COUPON**

1926.

SANTA CRUZ PATAGONIAN,  
Patagonia, Arizona.

Enclosed find \$..... for..... year..... subscription to The Patagonian, at \$2.00 per year.

Name.....

St. and No.....

City and State.....

**ELECTRICAL EQUIPMENT CO.**  
340 Grand Ave.  
NOGALES, ARIZONA

Battery Recharged, 75c  
(All makes)  
Out-of-Town Orders Solicited

**DR. M. A. WUBERSCHMIDT**  
Optical Specialist

**Arizona Optical Company**  
313 Morley Avenue  
NOGALES, ARIZONA

**PIGGLY WIGGLY**  
*All Over the World*

MORE PEOPLE PATRONIZE THE PIGGLY WIGGLY DAILY THAN ANY STORE OR STORES IN SANTA CRUZ COUNTY.

**WHY?**

QUALITY GROCERIES AND MEATS AT LOWER PRICES.

SOAP	
Bob White, 6 Bars for.....	24c
P. & G. PAPTHA, 6 Bars for.....	25c
CORN FLAKES	
Per Package.....	10c
ONIONS	
FANCY BERMUDA, Per Pound.....	7c
CLANSERS	
Drackett's Lye, each.....	11c
Sapolio, each.....	9c
Bon-Ami, each.....	10c
Chloride of Lime, each.....	12c
PRUNES	
Per Pound.....	8c
JELLO	
All Flavors, per package.....	10c
STRAWBERRIES	
Per Basket.....	20c
CANDY	
PER POUND.....	12½c
GLEN ROSA PRESERVES	
Strawberry, 4-Pound Jar, each.....	\$1.29
Cherry, 4-Pound Jar, each.....	\$1.29

**PIGGLY WIGGLY**

**JOHNSON BEATS LESTER EASILY**

The fight between Jack Johnson, ex-heavyweight champion, and Pat Lester of Tucson, which was pulled off at the Bull Ring in Nogales, Sonora, last Sunday, was a one-sided affair. Lester, owing to his lack of experience, could not hit Johnson, the latter battering the youngster all over the ring at will. Each of the 15 rounds was a repetition of the preceding one. Johnson did not make an unnecessary effort during the entire bout, even finishing the rounds in his own corner and making Lester meet him in the same place at the beginning of the rounds. Johnson said he let the fight go the limit to show the public that he could stand the pace. It is the belief of the editor that Johnson could have knocked out Lester at any stage of the fight if he so desired.

Jack Lynch of Tucson disposed of Dick Spleight in 35 seconds with a solar plexus blow. A fight has been arranged between Jack Johnson and Luis Firpo for the 4th of July in Nogales. This affair should prove more interesting than the main event of May 2nd.

Howard Keener, at the Patagonian office, will acknowledge your legal papers, put the Notary's Seal thereon—and has for sale all kinds of legal blanks.

**ASSAYING PRICE LIST**

Gold and Silver in 1 sample, \$1.00  
Gold, Silver, Lead and Copper in 1 sample.....\$2.50  
Lead, Copper, Zinc, Manganese, Iron, Lime, Graphite, Sulfur, Insolubles (gold or silver alone) each.....\$1.00  
Discounts on large amounts.  
ORES BOUGHT f.o.b. Nogales, Ariz., at 90% of smelter value less \$5.00 per lot sampling and assay charge.  
Accuracy and Promptness My Aim 12 Years in Present Business.

**Hugo W. Miller**  
NOGALES, Box 257 ARIZONA

IT PAYS TO ADVERTISE

**Political Announcements**

**DEMOCRATIC**

**County Supervisor**

To the voters of Supervisorial District No. 3, Santa Cruz County, Ariz.: I hereby announce my candidacy for the office of Supervisor on the Democratic ticket. If you can vote for me I will greatly appreciate it, and, if elected, promise in return a just and faithful service. Respectfully,  
**ELBERT L. KINSLEY.**

I hereby announce my candidacy for the office of Supervisor of Santa Cruz county, to represent District No. 1. I respectfully solicit your support at the forthcoming Democratic primary, September 7, 1926. I stand for a business administration of the affairs of the county.  
**A. E. SANDERS, Nogales.**

I hereby announce my candidacy for the office of County Supervisor in District No. 1, subject to the will of the Democratic voters at the September 7 primaries. If nominated and elected, I will endeavor to give the people of Santa Cruz County a business administration of their affairs.  
**C. C. CRENSHAW, Nogales.**

**State Senator**

I hereby announce my candidacy for the office of State Senator, subject to the will of the Democratic voters at the September, 1926, primaries.  
**ANDY BETTWY, Nogales.**

**United States Sues Forbes**  
Colonel Charles Forbes, former head of the veterans' bureau, who is serving a two-year term at Leavenworth for conspiracy to defraud the government, is being sued by the United States for the incidental \$10,000 fine which he has not yet paid.

**Army to Observe Mother's Day**  
Secretary of War Davis has asked officers and men in the army to write letters home on Mother's Day, May 9.

**Representative in Congress**

In making my formal announcement to be a candidate for Representative in Congress from Arizona, I do so with a full realization of the responsibilities attached to the position. I will seek the nomination on the Democratic ticket at the primaries, to be held September 7, and will appreciate your support for the office.  
Sincerely yours,  
**FRANK J. DUFFY, Nogales, Ariz.**

**Supt. of Public Instruction**

I wish to announce my candidacy for the position of Superintendent of Public Instruction, the position I now occupy, at the forthcoming Democratic primary. I solicit your support on my record as an educator in Arizona for the last 24 years.  
**C. O. CASE, Phoenix.**

**Sheriff**

I hereby announce my candidacy for re-nomination for the office of Sheriff of Santa Cruz county, subject to the will of the voters at the Democratic primary, September 7, 1926. I solicit your votes on the strength of having given, during the past two terms, an economic and efficient administration of the Sheriff's department.  
**HAROLD J. BROWN.**

I hereby announce my candidacy for the office of Sheriff of Santa Cruz county subject to the will of the Democratic voters at the September primaries. I solicit your support for the nomination.  
**ARTHUR D. PAGE, Nogales.**

**If It's Merely A Matter Of Price**

IF IT'S MERELY A MATTER OF PRICE Most retailers want to sell pants at prices that represent big value. Many of them think they are obligated to sacrifice tailoring and be satisfied to sell a cheaper make.

That isn't the case at all. Our odd trousers are tailored as well as any suit or coat in our store.

But we sell them in a good grade of tailoring at prices that are practically no higher than you are accustomed to paying for a cheaper make.

If you are not acquainted with our trousers, we would like to show you our Summer Clothing and Sports Suits.

**ARMY STORE**  
205 MORLEY AVE  
NOGALES, ARIZONA

WORLD'S LARGEST CHAIN DEPARTMENT STORE ORGANIZATION

**J.C. Penney Co.** A NATION-WIDE INSTITUTION-  
DEPARTMENT STORES  
MORLEY AVENUE, NOGALES, ARIZONA

RELIABLE QUALITY GOODS ALWAYS AT HONEST PRICES

**OUR SPRING WHITE WEEK**

Featuring Our Own Brands Of Muslins, Sheeting and All Household Necessities

**Our Turkish Towels**  
*Heavy! Large! White and with Colored Stripe*



Summer is coming—when swimming and other out-of-door activities demand many Towels! Note this price!..... **10c**

Good-weight Terry Towels in all white and with a smart color stripe! Priced, each..... **15c**

Just lift one of these Towels! You've never seen a better one—at this Economy price, we're sure!..... **25c**

And here is the Towel of Towels! Large, heavy, defying the ravages of laundering!..... **49c**

**"Penco" Leads**  
Sheets and Sheeting  
Our own famous "Penco" brand! 2 yds. wide, bleached, or 2½ unbleached, the yard,  
**69c**  
Ready-made Sheets, 72 in. by 90 in., each,  
**\$1.59**

**Pillow Slips**  
"Penco"  
If you want the best, you want our "Penco" cases!  
**39c**

**Table Damask**  
Mercerized

You can't find better value than this Table Damask, 64 inches wide, and in a fine, heavy quality, splendidly mercerized, the yard,

**59c**

**For Lingerie**  
New Voiles  
The new weaves make up effectively! The yard, only,  
**39c**

**Honor Muslin**  
For Greatest Service  
Our Honor stands behind our Honor Muslin!  
The bleached, 36 in. full shrunk quality, the yard,  
**17c**  
Unbleached, 39 in. width, the yard,  
**15c**

**Our Belle Isle**  
Economy Muslin  
For many practical uses, 39 in. unbleached, the yard,  
**12½c**

**Pretty Dimity**  
For Lingerie  
You, too can have dainty underthings! Yard,  
**29c**

**Spreads for Beds**  
Dimity Ripplette  
Good weight for Summer! Easy to launder. Each,  
**\$1.98**

**Our Nation-Wide**  
Sheeting  
From coast to coast, a noted value. 2½ yds wide,  
**49c**



**PORTO BELLO GOLD**  
by **ARTHUR D. HOWDEN SMITH**  
COPYRIGHT by ARTHUR D. HOWDEN SMITH

**GOLD, Jewels, Fights, Buckets of—**, well, it's a pirate story and undoubtedly the best one that has come out since Robert Louis Stevenson's "Treasure Island." And the odd fact is that it is founded on that masterpiece of adventure; for Arthur D. Howden Smith, the amazingly clever producer of thrilling romances in his eager moments and of costume novels in his quieter moods, hit upon the unique idea of taking some of Stevenson's characters at periods in their career before "R. L. S." became acquainted with them and of plotting the stirring events that led to the placing of the treasure on the island. The consensus of critical opinion is that "Porto Bello Gold" is a fit companion to the other great story.

**BEGINNING MAY 14TH IN THE PATAGONIAN**